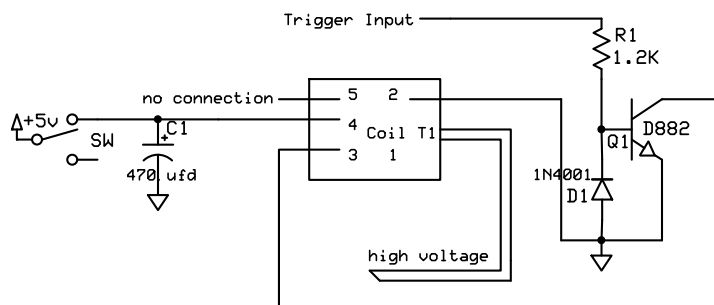
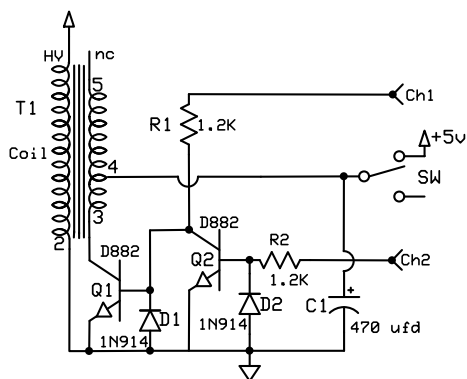


Modified One and Two Channel Circuits

Modified One Channel Circuit



Modified Two Channel Circuit



Aurorasky

Plasma Ball Circuits

Steve Kempe

Rev 1.0
12/23/2015

Page 1 of 1