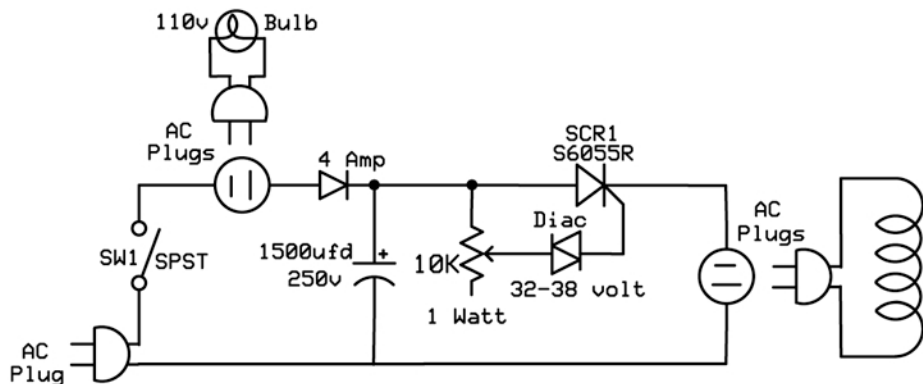


# Best Simplified Bob Beck PEMF



## AURORASKY

## PEMF Circuit

G Steven Kempe

Rev 2.0

01-28-2018

Page 1 of 1